

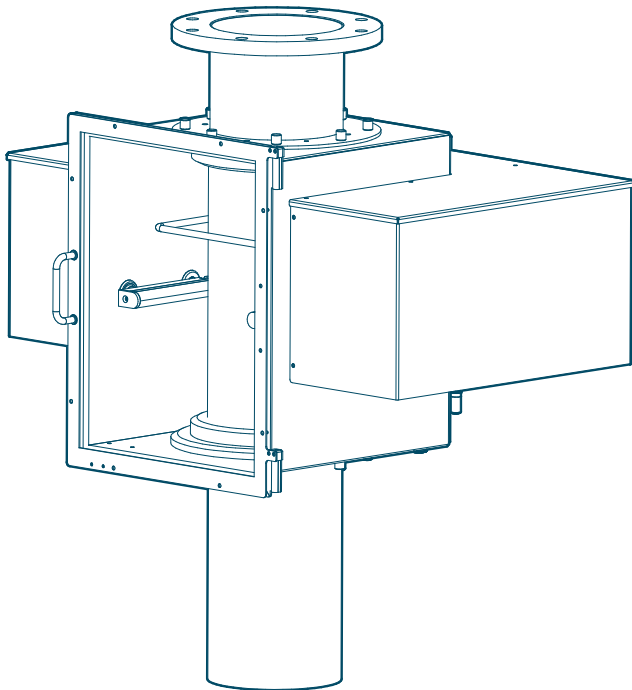
DOSING UNIT BUC

FACTSHEET



DOSING

DOSING UNIT BUC



The **dosing units of the type BUC** are used in situations, where bulks (powder or granular products) with poor flow characteristics have to be dosed (10g-range) and high requirements at the cleaning process have to be fulfilled. Those can be installed directly at the bottom of a silo or somewhere in the bulk down-stream. Typically, those are used in combination with the intelligent Dosing Controller BUDos and the flexible connection system BUClamp Compensator.

FACTS

YOUR ADVANTAGES

- Dead space free design guarantees WIP / CIP-ability
- Cost-effective procurement of spare parts, thanks to the squeeze tube technology
- Simple maintenance
- Dosing accuracy 10g
- No moving parts inside product room
- Gentle dosing of the bulk

OPTIONS

- Executions with disposable sleeve system in the product room, which makes cleaning unnecessary

INDUSTRIES



AVAILABLE APPROVALS



CONTACT

BURGENER AG swiss technology solutions

Wehreyering 31
Postfach 95
CH - 3930 Visp

T: +41 (0)27 948 48 60
info@burgener-ag.ch
www.burgener-ag.ch

